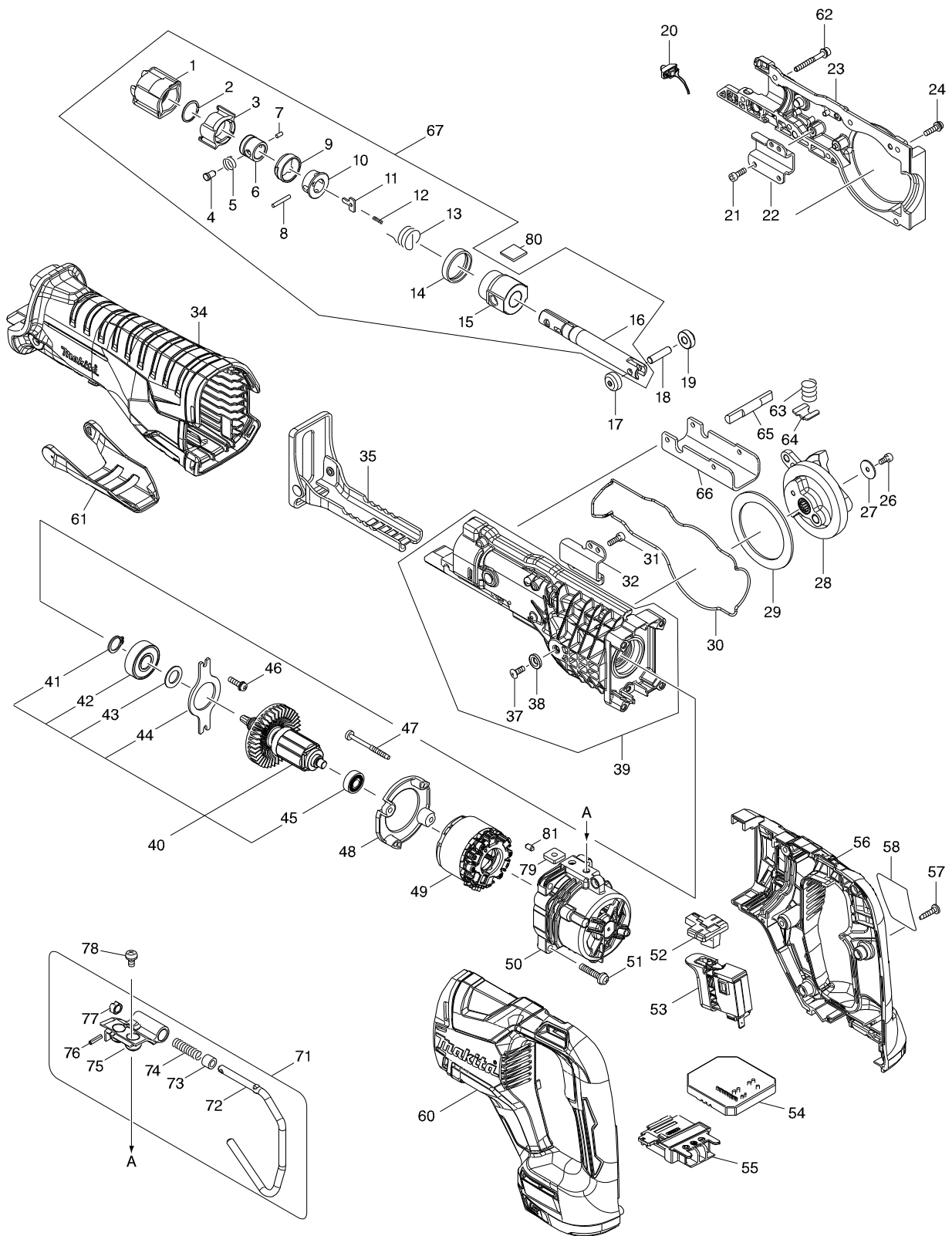


Modelo DJR187 CORDLESS RECIPRO SAW



Modelo DJR187 CORDLESS RECIPRO SAW

| Artículo | Código | Descripción | Interc | Cantida | N/O | Opción 1 | Opción 2 | Notas |
|----------|----------|------------------------------|--------|---------|-----|----------|----------|-------|
| 001 | 424763-8 | PROTECTOR | | 1 | | | | |
| 002 | 257952-8 | RETAINING RING (EXT) 18 | | 1 | | | | |
| 003 | 310662-9 | DRIVING SLEEVE | | 1 | | | | |
| 004 | 256569-4 | SHOULDER PIN 5 | | 1 | | | | |
| 005 | 234381-2 | COMPRESSION SPRING 6 | | 1 | | | | |
| 006 | 331720-8 | GUIDE SLEEVE | | 1 | | | | |
| 007 | 268094-3 | PIN 3 | | 1 | | | | |
| 008 | 256158-5 | PIN 3 | | 1 | | | | |
| 009 | 417791-0 | DRIVING SLEEVE GUIDE | | 1 | | | | |
| 010 | 418311-3 | SLEEVE | | 1 | | | | |
| 011 | 345214-7 | PUSH PLATE | | 1 | | | | |
| 012 | 233025-1 | COMPRESSION SPRING 2 | | 1 | | | | |
| 013 | 231687-9 | TORSION SPRING 17 | | 1 | | | | |
| 014 | 424762-0 | RUBBER RING | | 1 | | | | |
| 015 | 143365-8 | SLIDER GUIDE COMPLETE | | 1 | | | | |
| C10 | 213151-2 | OIL SEAL 14 | | 1 | | | | |
| C20 | 213174-0 | X RING 14 | | 1 | | | | |
| 016 | 161376-1 | SLIDER | | 1 | | | | |
| 017 | 310663-7 | ROLLER | | 1 | | | | |
| 018 | 268341-2 | PIN 6 | | 1 | | | | |
| 019 | 310663-7 | ROLLER | | 1 | | | | |
| 020 | 620434-7 | LED CIRCUIT | | 1 | | | | |
| 021 | 922117-8 | HEX. SOCKET HEAD BOLT M4X12 | | 2 | | | | |
| 022 | 346936-2 | ROD GUIDE R | | 1 | | | | |
| 023 | 143362-4 | GEAR HOUSING R COMPLETE | | 1 | | | | |
| 024 | 911128-8 | P.H.SCREW M4X16 WITH WR | | 5 | | | | |
| 026 | 922107-1 | HEX. SOCKET HEAD BOLT M4X8 | | 1 | | | | |
| 027 | 267491-0 | FLAT WASHER 4 | | 1 | | | | |
| 028 | 143359-3 | GEAR COMPLETE | | 1 | | | | |
| 029 | 267490-2 | FLAT WASHER 54 | | 1 | | | | |
| 030 | 424764-6 | SEAL RING | | 1 | | | | |
| 031 | 922117-8 | HEX. SOCKET HEAD BOLT M4X12 | | 2 | | | | |
| 032 | 346935-4 | ROD GUIDE L | | 1 | | | | |
| 034 | 424765-4 | INSULATION COVER | | 1 | | | | |
| 035 | 161374-5 | SHOE | | 1 | | | | |
| 037 | 912112-6 | COUNTERSUNK HEAD SCREW M4X10 | | 1 | | | | |
| 038 | 253825-3 | FLAT WASHER 6 | | 1 | | | | |
| 039 | 123509-6 | GEAR HOUSING L ASSEMBLY | | 1 | | | | |
| D10 | | INC. 37,38 | | | | | | |
| 040 | 519391-3 | ROTOR ASS'Y | | 1 | * | | | |
| D10 | | INC. 41-45 | | | * | | | |
| 040-1 | 519418-9 | ROTOR ASS'Y | O | 1 | | | | |
| D10 | | INC. 41-45 | | | | | | |
| 041 | 961052-5 | RETAINING RING S-12 | | 1 | | | | |
| 042 | 210118-1 | BALL BEARING 6201DDW | | 1 | | | | |
| 043 | 253744-3 | FLAT WASHER 12 | | 1 | | | | |
| 044 | 285740-3 | BEARING RETAINER 66 | | 1 | | | | |
| 045 | 210062-2 | BALL BEARING 607ZZ | | 1 | | | | |

Modelo DJR187 CORDLESS RECIPRO SAW

| Artículo | Código | Descripción | Interc | Cantida | N/O | Opción 1 | Opción 2 | Notas |
|----------|----------|-------------------------------|--------|---------|-----|----------|----------|-------|
| 046 | 911128-8 | P.H.SCREW M4X16 WITH WR | | 2 | | | | |
| 047 | 266069-6 | TAPPING SCREW 4X45 | | 2 | | | | |
| 048 | 456178-1 | BAFFLE PLATE | | 1 | | | | |
| 049 | 629179-4 | STATOR | | 1 | | | | |
| 050 | 456179-9 | MOTOR HOUSING | | 1 | | | | |
| 051 | 911243-8 | PAN HEAD SCREW M5X25 | | 4 | | | | |
| 052 | 456177-3 | CHANGE BUTTON | | 1 | | | | |
| 053 | 650759-5 | SWITCH C3JW-6B-2 | | 1 | | | | |
| 054 | 620432-1 | CONTROLLER A | | 1 | | | | |
| 055 | 643899-6 | TERMINAL | | 1 | * | | | |
| 055-1 | 643874-2 | TERMINAL | S | 1 | | | | |
| 056 | 183C47-8 | HANDLE SET | | 1 | * | | | |
| C10 | 263005-3 | RUBBER PIN 6 | | 2 | * | | | |
| D10 | | INC. 60 | | | * | | | |
| 056-1 | 183D21-2 | HANDLE SET | S | 1 | | | | |
| C10 | 263005-3 | RUBBER PIN 6 | | 2 | | | | |
| D10 | | INC. 60 | | | | | | |
| 057 | 266326-2 | TAPPING SCREW 4X18 | | 6 | | | | |
| 058 | 851P12-0 | DJR187 NAME PLATE | | 1 | | | | |
| 060 | 183C47-8 | HANDLE SET | | 1 | * | | | |
| C10 | 263005-3 | RUBBER PIN 6 | | 2 | * | | | |
| D10 | | INC. 56 | | | * | | | |
| 060-1 | 183D21-2 | HANDLE SET | S | 1 | | | | |
| C10 | 263005-3 | RUBBER PIN 6 | | 2 | | | | |
| D10 | | INC. 56 | | | | | | |
| 061 | 456176-5 | LOCK LEVER | | 1 | | | | |
| 062 | 266979-7 | HEX.SOCKET HEAD BOLT M4X35 WR | | 2 | | | | |
| 063 | 231231-2 | COMPRESSION SPRING 12 | | 1 | | | | |
| 064 | 346938-8 | SHOE LOCK PLATE | | 1 | | | | |
| 065 | 326599-0 | LOCK PIN | | 1 | | | | |
| 066 | 346937-0 | SHOE GUIDE PLATE | | 1 | | | | |
| 067 | 123510-1 | SLIDER ASSEMBLY | | 1 | | | | |
| D10 | | INC. 1-16 | | | | | | |
| 071 | 123455-3 | HOOK ASSEMBLY | | 1 | | | | |
| D10 | | INC. 72-77 | | | | | | |
| 072 | 281223-1 | HOOK | | 1 | | | | |
| 073 | 262561-0 | SLEEVE 6 | | 1 | | | | |
| 074 | 233455-6 | COMPRESSION SPRING 7 | | 1 | | | | |
| 075 | 319344-0 | JOINT | | 1 | | | | |
| 076 | 951057-3 | SPRING PIN 3-12 | | 1 | | | | |
| 077 | 310661-1 | LOCK SLEEVE | | 1 | | | | |
| 078 | 911206-4 | PAN HEAD SCREW M5X10 | | 2 | | | | |
| 079 | 264002-2 | SQUARE NUT M5 | | 2 | | | | |
| 080 | 424858-7 | FELT 16X16 | | 1 | | | | |
| 081 | 263002-9 | RUBBER PIN 4 | | 1 | | | | |
| A01 | B-05169 | RECIPROSAWBLADE FOR METAL | | 1 | | | | |
| A02 | B-05175 | RECIPROSAWBLADE FOR WOOD | | 1 | | | | |
| A03B | 821620-5 | PLASTIC CARRYING CASE | | 1 | | | | |

