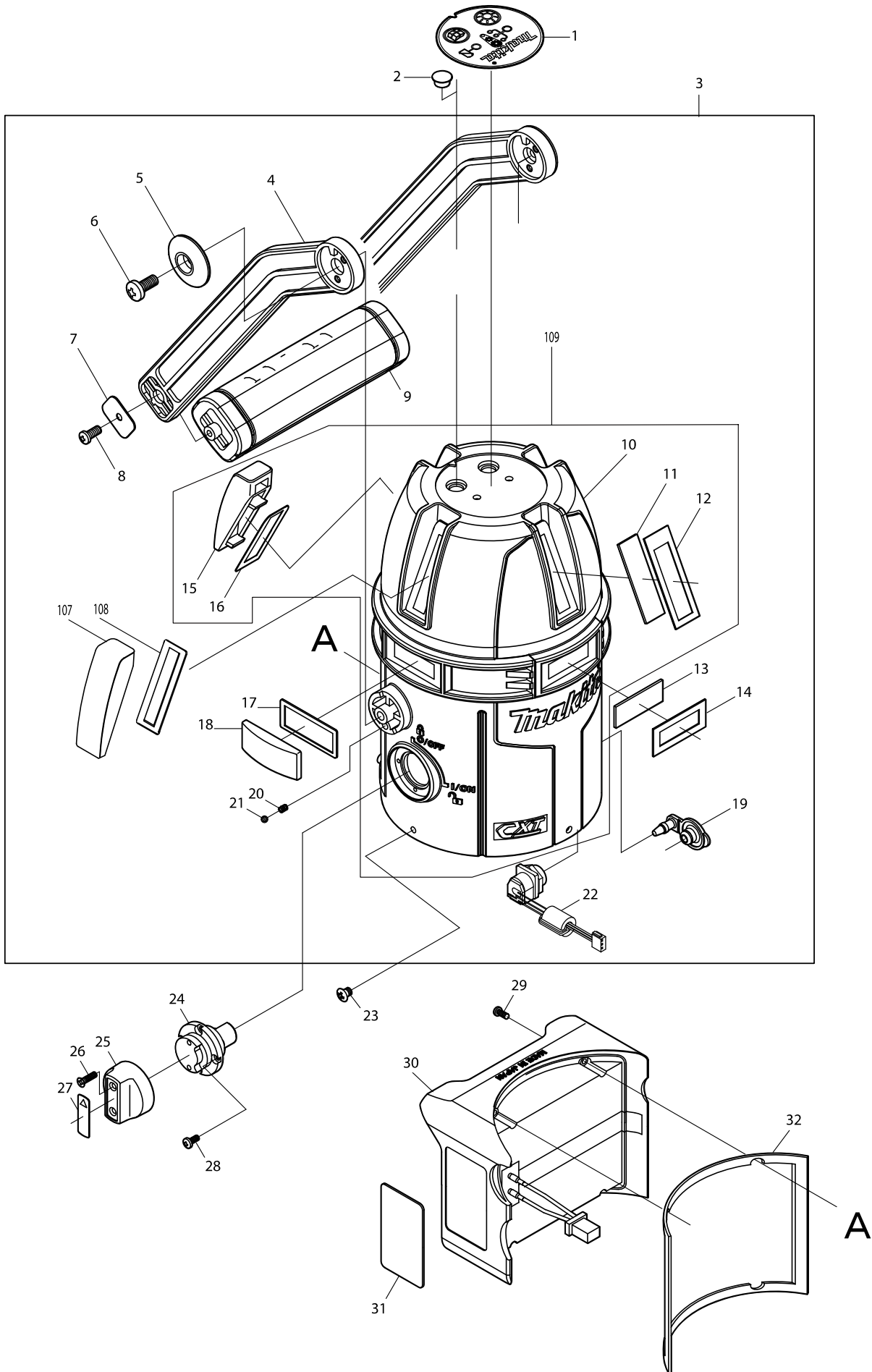
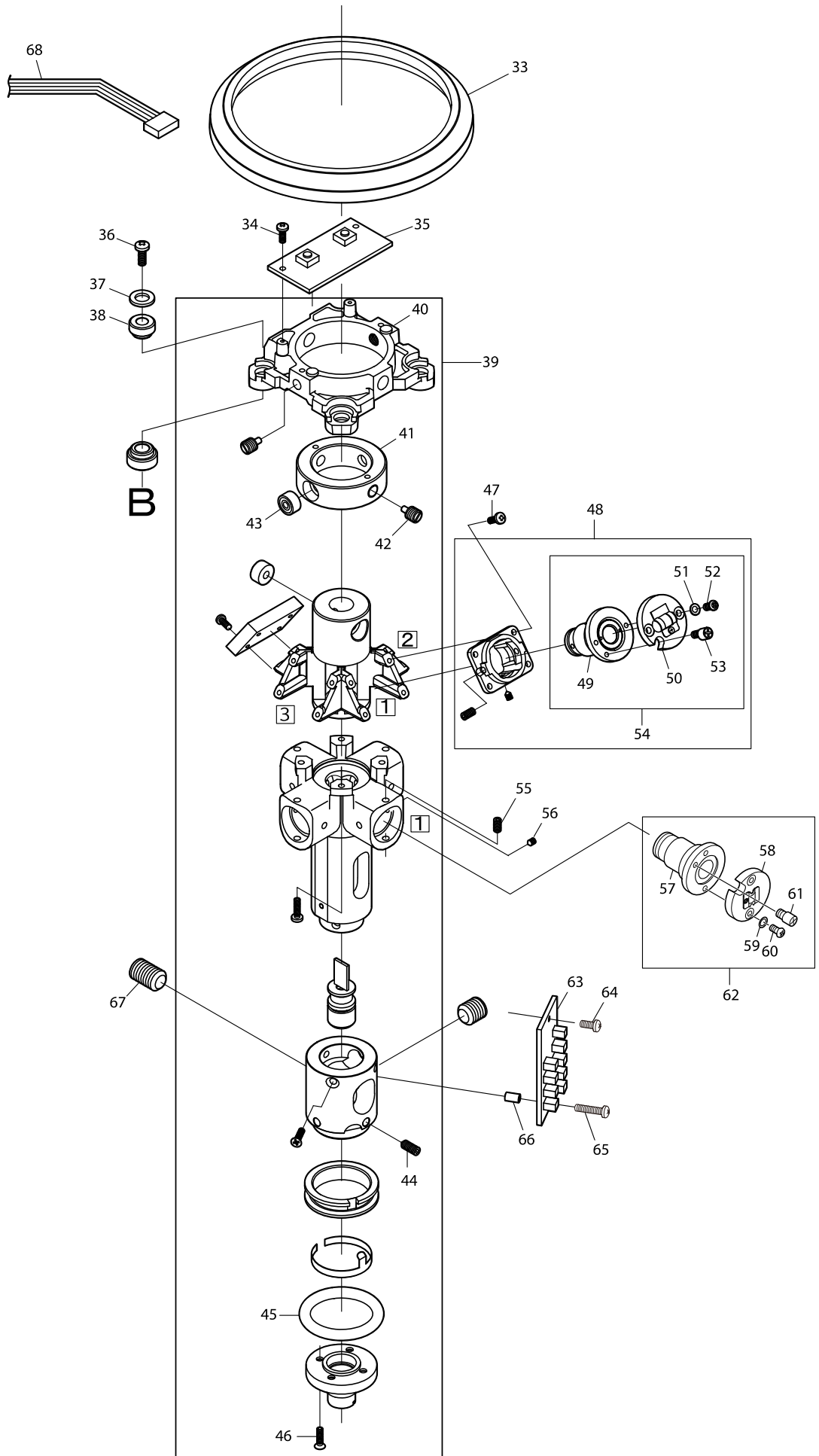


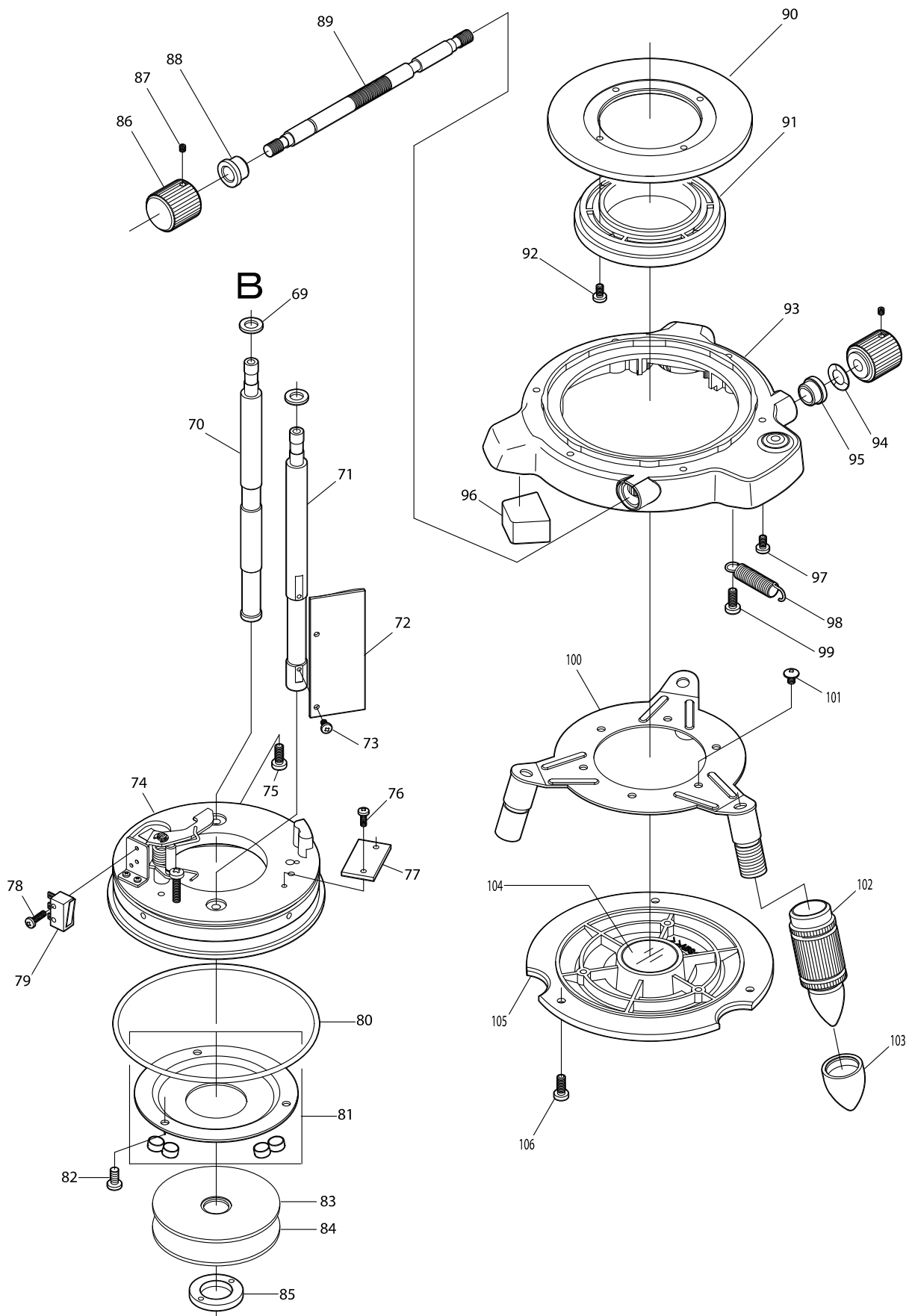
# Modelo SK209GD GREEN MULTI LINE LASER



# Modelo SK209GD GREEN MULTI LINE LASER



# Modelo SK209GD GREEN MULTI LINE LASER



Artículo	Código	Descripción	Interc	Cantida	N/O	Opción 1	Opción 2	Notas
001	TK219UN101	SWITCH LABEL		1				
002	TK16010422	SWITCH BUTTON(2.2)		2	*			
002-1	TK16010441	SWITCH BUTTON(4.1)	X	2				
002A_	TK16010423	SWITCH BUTTON(2.3)		2	*			
002A1	TK16010443	SWITCH BUTTON(4.3)	X	2				
002B_	TK16010424	SWITCH BUTTON(2.4)		2	*			
002B1	TK16010444	SWITCH BUTTON(4.4)	X	2				
003	TK220EUSA1	HOUSING ASSEMBLY		1				
D10		INC. 4-9,13,14,17-22,107-109						
004	TK02181041	HANDLE		2				
005	TK02181261	HANDLE RETAINER		2				
006	TKTP4010FU	+PAN HEAD SCREW M4X10		2	*			
006-1	TKP4010FUS	+PANHEADSCREWM4X10(WITHRUBBER)	X	2				
007	TK02180127	GRIP RETAINER		2				
008	TKTT3010FB	+TRUSS HD. TAPPING SCREW 3X10		2				
009	TK02181051	GRIP		1				
010	TK219102EU	HOUSING COMPLETE		1				
011	TK00210106	GLASS V		2				
012	TK02180128	GLASS V RETAINER LABEL		2				
013	TK02101071	GLASS H		1				
014	TK02180129	GLASS H RETAINER LABEL		1				
015	TK02190125	COVER V		1				
016	TK02190128	DOUBLE SIDES LABEL V		1				
017	TK02190126	COVER H		3	*			
017-1	TK02190129	DOUBLE SIDES LABEL H	X	3				
018	TK02190129	DOUBLE SIDES LABEL H		3	*			
018-1	TK02190126	COVER H	X	3				
019	TKAL411252	DC JUCK COVER		1				
020	TK02181302	COMPRESSION SPRING E		2				
021	TK00SB3000	STELL BALL 3		2				
022	TK219UN131	DC JUCK UN		1				
023	TK0P2550FB	+ PAN HEAD SCREW M2.5X5		4				
024	TK0195SA01	LOCK CAM COMPLETE		1				
025	TK01701192	LOCK LEVER		1				
026	TK03F2080N	COUTERSUNK HD. SCREW M2X8		2				
027	TK01700104	LOCK SEAL		1				
028	TKTP2040FU	+PAN HEAD SCREW 2X4		4				
029	TKTP2080FB	+PAN HEAD TAPPING SCREW 2X8		4				
030	TK02180008	BATTERY HOLDER COMPLETE		1				
031	TK220EU113	NAME PLATE 220 EU		1				
032	TK02181242	BATTERY HOLDER GASKET		1				
033	TK02180103	HOUSING RETAINER RING		1				
034	TK03P2040N	PAN HD.SCREW M2X4		2				
035	TKLVF0076D	SWITCH UNIT		1				
036	TK0T3060FU	+TRUSS HD. SCREW 3X6		3				
037	TK0000PW50	FLAT WASHER 5		3				
038	TK01731383	PILLAR BUSH		6				
039	TK0220SA02	GIMBAL ASSEMBLY		1				

Artículo	Código	Descripción	Interc	Cantida	N/O	Opción 1	Opción 2	Notas
D10		INC. 40-46						
040	TK01830135	UPPER FRAME		1				
041	TK00174111	GIMBAL INNER RING		1				
042	TK01730196	FULCRUM SCREW		4				
043	TK01730199	BALL BEARING		4				
044	TKS3060FB5	HEX SOCKET HD. SCREW M3X6		4				
045	TK01730148	O RING		1				
046	TK0F2580B0	FLAT HEAD SCREW M2.5X8		4				
047	TK03P2040N	PAN HD.SCREW M2X4		16				
048	TK219SA03E	LASER UNIT V COMPLETE		2				
D10		INC. 54						
049	TK02160111	LASER UNIT G COMPLETE		1				
050	TK00218012	LENS		1				
051	TK0000PW20	FLAT WASHER		2				
052	TK03P2060N	PAN HD.SCREW M2X6		2				
053	TK0LV37351	ECCENTRIC SCREW		1				
054	TK219SA04E	LASER UNIT COMPLETE		1				
D10		INC. 49-53						
055	TKS2550S05	H.S.SET SCREW(FLAT POINT)		2				
056	TKS2540FB4	H.S.SET SCREW M2.5X4		2				
057	TK02160111	LASER UNIT G COMPLETE		1				
058	TK00218012	LENS		1				
059	TK0000PW20	FLAT WASHER		2				
060	TK03P2060N	PAN HD.SCREW M2X6		2				
061	TK0LV37351	ECCENTRIC SCREW		1				
062	TK219SA04E	LASER UNIT COMPLETE		1				
D10		INC. 57-61						
063	TKLVF0068B	CONTROL UNIT		1				
064	TK03P2040N	PAN HD.SCREW M2X4		1				
065	TK03P2080N	PAN HD. SCREW M2X8		1				
066	TKST2060FZ	SPACER		1				
067	TK0219SET1	BALANCER WEIGHT SET		1				
068	TK0LVE3044	LEAD UNIT A		1				
069	TK0000PW50	FLAT WASHER 5		3				
070	TK01701146	PILLAR A		2				
071	TK02100118	PILLAR B		1				
072	TKLVF00753	POWER SUPPLY UNIT		1				
073	TK03P2040N	PAN HD.SCREW M2X4		2				
074	TK0218SA05	LOWER FRAME COMPLETE		1				
075	TK0P3080FU	+PAN HD. SCREW M3X8		3				
076	TK03P2040N	PAN HD.SCREW M2X4		2				
077	TK0LVF0066	CONNECTOR UNIT		1				
078	TK03P2080N	PAN HD. SCREW M2X8		2				
079	TK0TL32108	SWITCH		1				
080	TK01501151	O RING		1				
081	TK0173SA13	MAGNET UNIT		1				
082	TK0P3060FU	+PAN HEAD SCREW M3X6		3				
083	TK00170132	DAMPER PLATE A		1				

