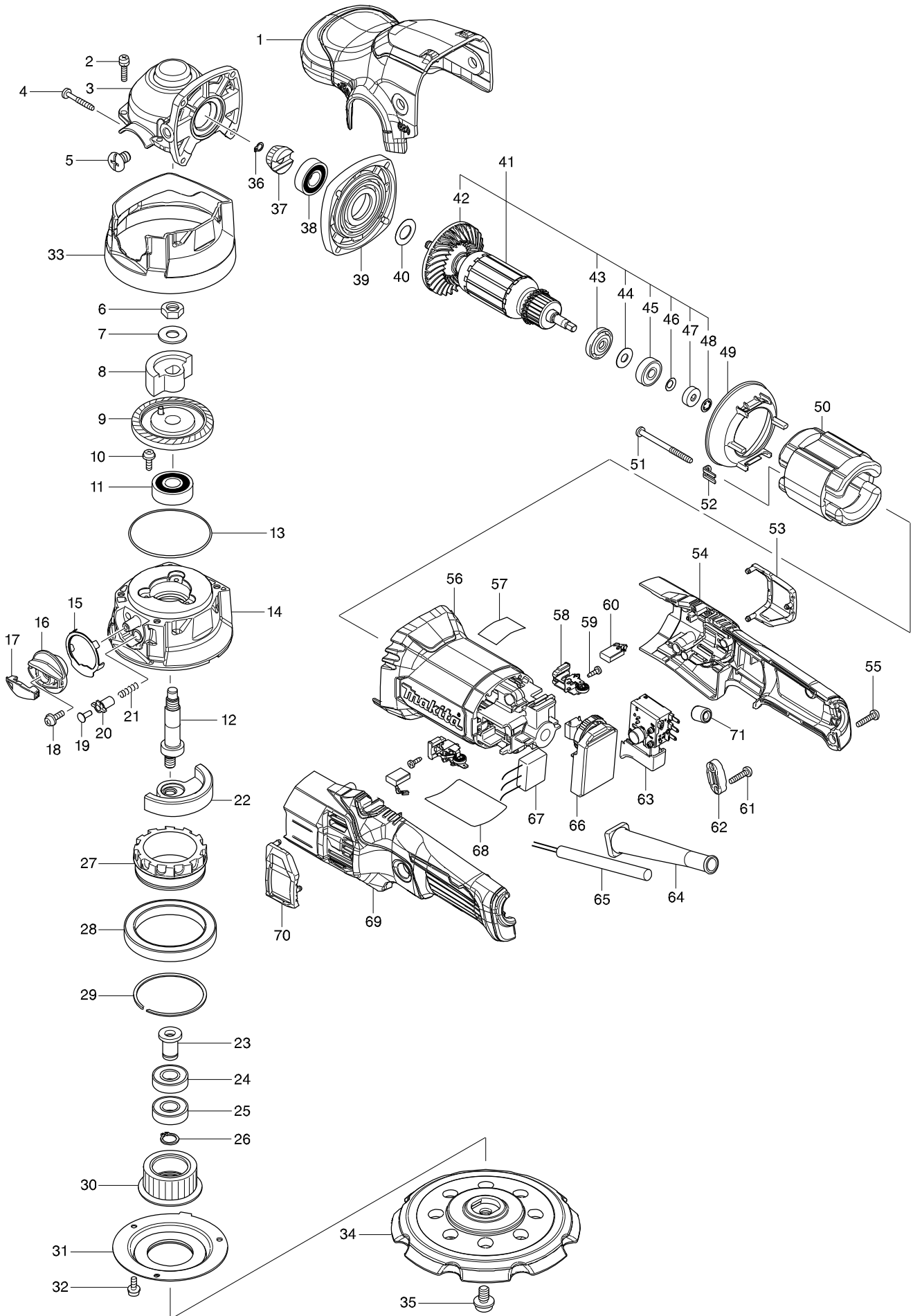


# Modelo PO6000C 150MM RANDOM ORBIT POLISHER



Artículo	Código	Descripción	Interc	Cantida	N/O	Opción 1	Opción 2	Notas
001	456805-0	HEAD COVER		1				
002	911126-2	PAN HEAD SCREW M4X16		4				
003	143783-0	GEAR HOUSING COMPLETE		1				
004	266257-5	TAPPING SCREW 4X28		4				
005	265083-9	+ FLAT HEAD SCREW M8X11		2				
006	931503-2	HEX. NUT M10		1				
007	253024-7	FLAT WASHER 10		1				
008	326735-8	UPPER BALANCE WEIGHT		1				
009	143782-2	SPIRAL BEVEL GEAR 37 COMPLETE		1				
010	911119-9	PAN HEAD SCREW M4X12		3				
011	211145-1	BALL BEARING 6201ZZ		1				
012	324069-3	SPINDLE		1				
013	213724-1	O RING 62		1				
014	143784-8	SKIRT COMPLETE		1				
015	153427-4	DUST SEAL WASHER COMPLETE		1				
016	143785-6	KNOB COMPLETE		1				
017	456809-2	CAP		1				
018	911119-9	PAN HEAD SCREW M4X12		1				
019	417382-7	SPRING HOLDER		1				
020	345209-0	HOLDER		1				
021	231230-4	COMPRESSION SPRING 4		1				
022	326736-6	LOWER BALANCE WEIGHT		1				
023	324070-8	SLEEVE		1				
024	211131-2	BALL BEARING 6001DDW		1				
025	211131-2	BALL BEARING 6001DDW		1				
026	961052-5	RETAINING RING S-12		1				
027	221453-2	INTERNAL SPUR GEAR 29		1				
028	210146-6	BALL BEARING 6811LLB		1				
029	257933-2	STOP RING (EXT) WR-55		1				
030	143790-3	SPUR GEAR 26 COMPLETE		1				
031	143938-7	BEARING RETAINER 80 COMPLETE		1				
032	911119-9	PAN HEAD SCREW M4X12		3				
033	456806-8	BUMPER		1				
034	197928-2	PAD 150 SET		1				
D10		INC. 35						
035	266270-3	HEX.SOCKET HEAD BOLT M8X14		1				
036	961002-0	RETAINING RING S-6		1				
037	221450-8	SPIRAL BEVEL GEAR 10		1				
038	211142-7	BALL BEARING 6001LLB		1				
039-1	317359-1	GEAR HOUSING COVER		1				
040-1	253084-9	FLAT WASHER 12		1				
041	513484-8	ARMATURE ASS'Y 240V		1				
D10		INC. 42-48						
042	240134-9	FAN 60		1				
043	681656-4	INSULATION WASHER		1				
044	253823-7	FLAT WASHER 7		1				
045	210045-2	BALL BEARING 627DDW		1				
046	267756-0	WAVE WASHER 6		1				

