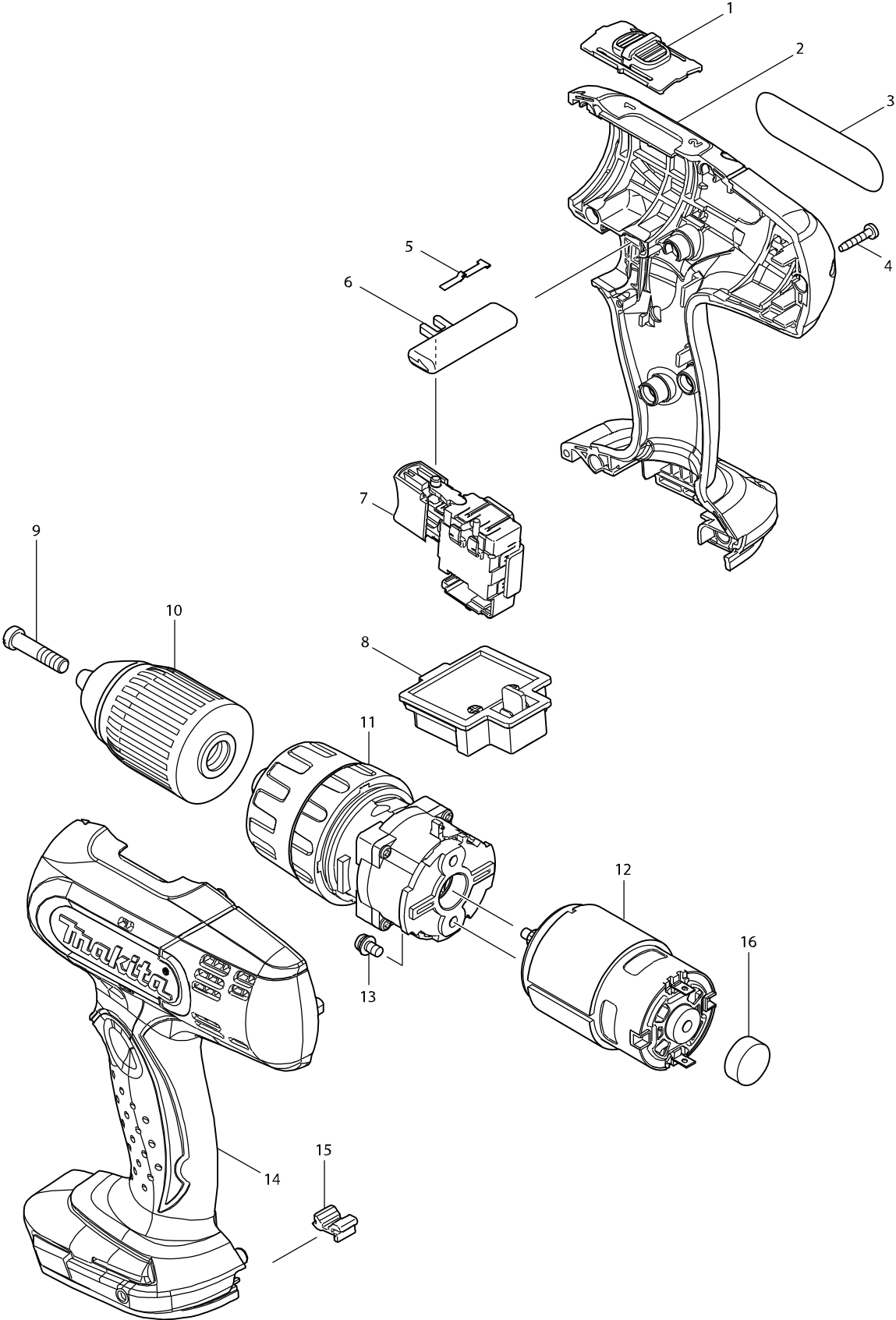


Modelo DHP453 TALADRO BAT.



Artículo	Código	Descripción	Interc	Cantidad	N/O	Opción 1	Opción 2	Notas
001	125310-5	CAMBIO DE VELOCIDAD BHP440SFE		1				
C10	231433-0	MUELLE COMP.4		2				
002	187363-2	CARCASA MOTOR BDF453		1				
C10	263005-3	FIJADOR 6*		2				
D10		INC. 14						
003	815J03-9	DHP453 NAME PLATE		1				
004	266130-9	TORNILLO PT3X16		9				
005	232182-2	MUELLE BALLESTA PARA 6204DW		1				
006	419250-0	PALANCA CAMBIO REVER.BDF441		1				
007	632A23-2	INTERRUPTOR PARA BDF/BHP453		1				
008	643852-2	TERMINAL BHP456RFE		1				
009	251468-5	TORNILLO IDQUI M6X22* MT064		1				
010	766004-9	MANDRIL 13MM. 8391D		1				
011	125485-0	ENGRANAJE COMPLETO 8391D		1				
012	629937-8	DC MOTOR		1				
013	911108-4	TORNILLO M4X8*		2				
014	187363-2	CARCASA MOTOR BDF453		1				
C10	263005-3	FIJADOR 6*		2				
D10		INC. 2						
015	424476-1	GUARDAPOLVO BHR242		1				
016	421940-3	BULON 8391D		1				
A01	784636-0	PUNTAS 6270DWEX		1				
A02A	***DC18RC	DC18RC FAST CHARGER		1				
A02B	***DC18RC	DC18RC FAST CHARGER		1				
A02F	***DC18RC	DC18RC FAST CHARGER		1				
A02G	***DC18RC	DC18RC FAST CHARGER		1				
A02H	***DC18RC	DC18RC FAST CHARGER		1				
A02I	***DC18RC	DC18RC FAST CHARGER		1				
A02J	***DC18RC	DC18RC FAST CHARGER		1				
A02K	***DC18RC	DC18RC FAST CHARGER		1				
A02L	***DC18RC	DC18RC FAST CHARGER		1				
A02M	***DC18SD	DC18SD BATTERY CHARGER		1				
A03A	194204-5	BATERIA BL1830 18V LITIO		2	*			
A03B	194513-2	BATERIA BL1815 18V LITIO***		2				
A03F	194513-2	BATERIA BL1815 18V LITIO***		2				
A03G	196235-0	BATERIA BL1815N 18V LITIO		3	*			
A03H	196235-0	BATERIA BL1815N 18V LITIO		2	*			
A03I	196235-0	BATERIA BL1815N 18V LITIO		2	*			
A03J	196460-3	BATTERY BL1820 SET		2	*			
A03K	196235-0	BATERIA BL1815N 18V LITIO		2	*			
A03L	196460-3	BATTERY BL1820 SET		2	*			
A03-1A	194204-5	BATERIA BL1830 18V LITIO	O	2	*			
A03-1G	196235-0	BATERIA BL1815N 18V LITIO	O	3				
A03-1H	196235-0	BATERIA BL1815N 18V LITIO	O	2				
A03-1I	196235-0	BATERIA BL1815N 18V LITIO	O	2				
A03-1J	197254-9	BATTERY BL1820B SET	<	2				
A03-1K	196235-0	BATERIA BL1815N 18V LITIO	O	2				
A03-1L	197254-9	BATTERY BL1820B SET	<	2				

Artículo	Código	Descripción	Interc	Cantidad	N/O	Opción 1	Opción 2	Notas
A03-1M	196235-0	BATERIA BL1815N 18V LITIO		2				
A03-2A	197600-6	BATTERY BL1830B SET	<	2				
A04A	450128-8	BATTERY COVER		1				
A04B	450128-8	BATTERY COVER		1				
A04F	450128-8	BATTERY COVER		1				
A04G	450128-8	BATTERY COVER		2				
A04H	450128-8	BATTERY COVER		1				
A04I	450128-8	BATTERY COVER		1				
A04J	450128-8	BATTERY COVER		1				
A04K	450128-8	BATTERY COVER		1				
A04L	450128-8	BATTERY COVER		1				
A04M	450128-8	BATTERY COVER		1				
A05A	158777-2	PLASTIC CARRYING CASE		1				
C10	163455-1	CIERRE MALETIN PARA HR2430		2				
C20	419360-3	ASA FS2500		1				
A05B	158777-2	PLASTIC CARRYING CASE		1				
C10	163455-1	CIERRE MALETIN PARA HR2430		2				
C20	419360-3	ASA FS2500		1				
A05F	821550-0	MALETIN MAKPAC TIPO 2		1				
C10	453974-8	LATCH		4				
A05G	158777-2	PLASTIC CARRYING CASE		1				
C10	163455-1	CIERRE MALETIN PARA HR2430		2				
C20	419360-3	ASA FS2500		1				
A05H	194686-1	MALETIN ALUMINIO BHP343RHEX		1				
A05I	158777-2	PLASTIC CARRYING CASE		1				
C10	163455-1	CIERRE MALETIN PARA HR2430		2				
C20	419360-3	ASA FS2500		1				
A05J	158777-2	PLASTIC CARRYING CASE		1				
C10	163455-1	CIERRE MALETIN PARA HR2430		2				
C20	419360-3	ASA FS2500		1				
A05K	821550-0	MALETIN MAKPAC TIPO 2		1				
C10	453974-8	LATCH		4				
A05L	821550-0	MALETIN MAKPAC TIPO 2		1				
C10	453974-8	LATCH		4				
A05M	158777-2	PLASTIC CARRYING CASE		1				
C10	163455-1	CIERRE MALETIN PARA HR2430		2				
C20	419360-3	ASA FS2500		1				
A06F	837863-9	INNER TRAY		1				
A06K	837863-9	INNER TRAY		1				
A06L	837863-9	INNER TRAY		1				
A07F	803E29-3	DHP453RHJ INDICATION LABEL		1				
A07K	803E30-8	DHP453RYJ INDICATION LABEL		1				
A07L	803E41-3	DHP453RAJ INDICATION LABEL		1				
A08F	803E33-2	DHP453RHJ PLASTIC CASE LABEL		2				
A08K	803E34-0	DHP453RYJ PLASTIC CASE LABEL		2				
A08L	803E42-1	DHP453RAJ PLASTIC CASE LABEL		2				
E02	688165-4	FILTRO DE LINEA BUB360		1				