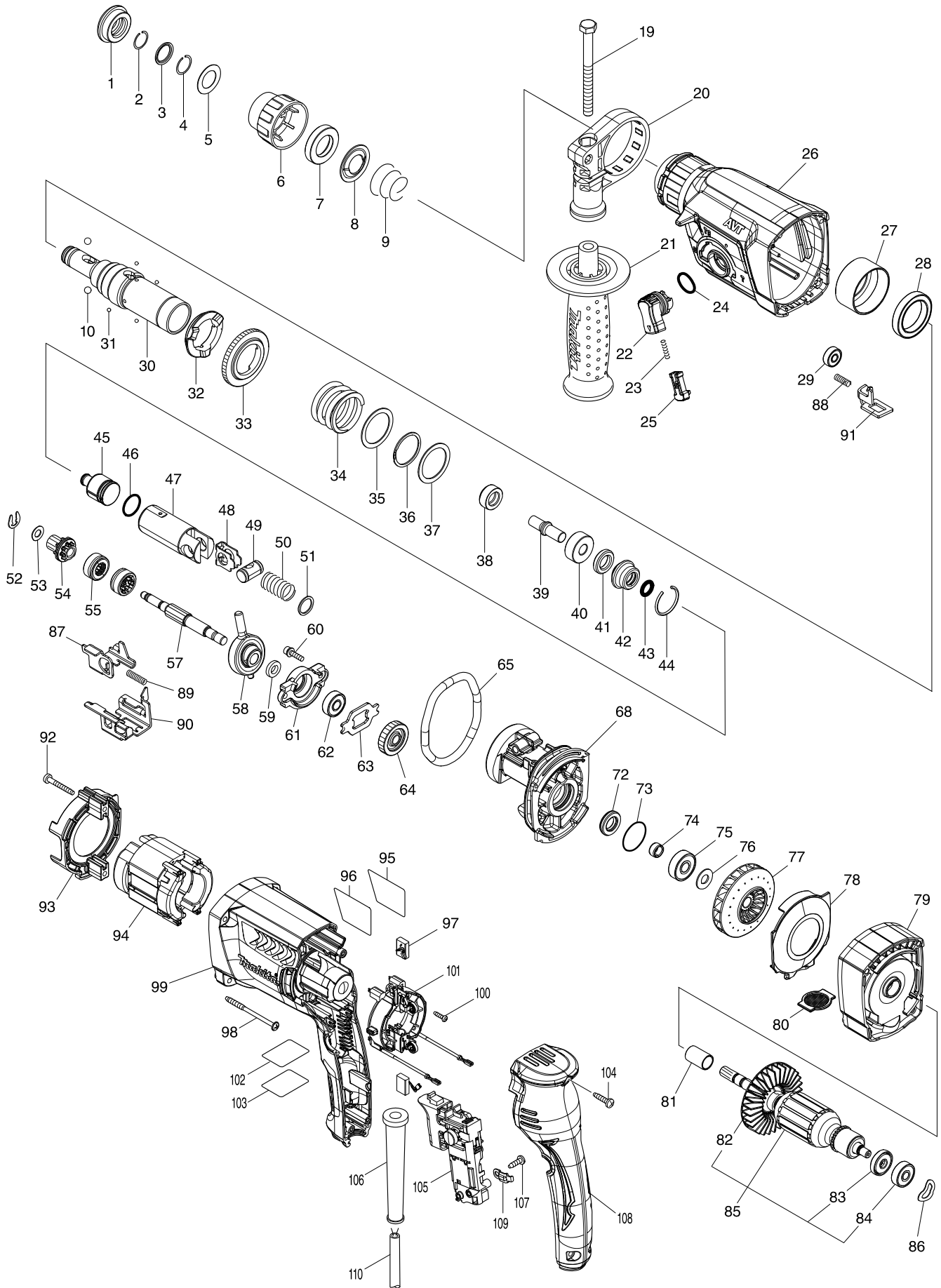
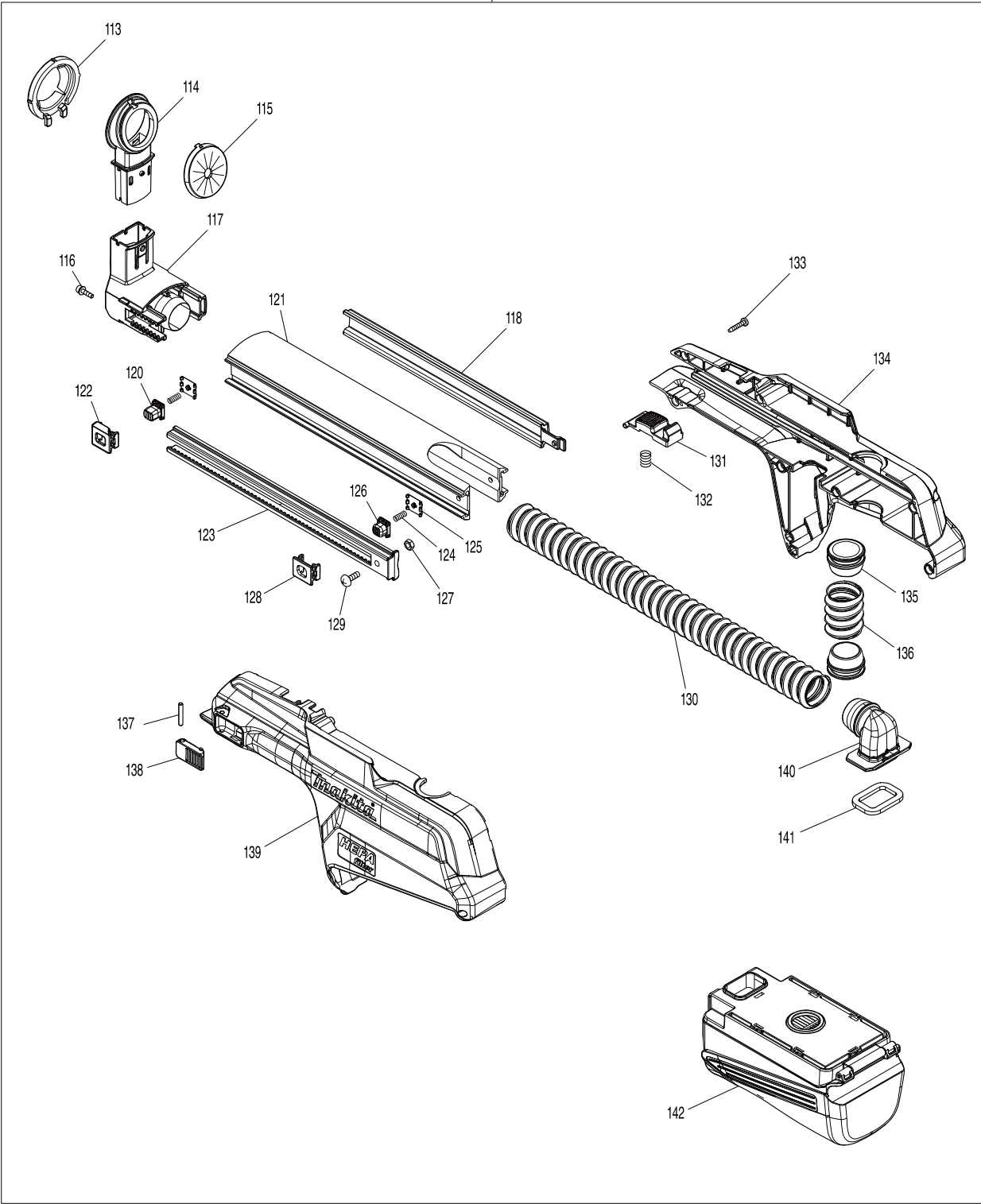


Modelo HR2650 26MM COMB.HAMMER W/DUST EXT.



Modelo HR2650 26MM COMB.HAMMER W/DUST EXT.

112



| Artículo | Código | Descripción | Interc | Cantida | N/O | Opción 1 | Opción 2 | Notas |
|----------|----------|--------------------------------|--------|---------|-----|----------|----------|-------|
| 001 | 286288-8 | CAPUCHON 35 HR2300 | | 1 | | | | |
| 002 | 233989-9 | MUELLE ARANDELA GUIA HR2300 | | 1 | | | | |
| 003 | 346834-0 | WASHER 16 | | 1 | | | | |
| 004 | 233992-0 | ANILLO ELASTICO HR2300 | | 1 | | | | |
| 005 | 267114-0 | ARANDELA PLANA 17 8412DWA | | 1 | | | | |
| 006 | 455393-4 | CHUCK COVER | | 1 | | | | |
| 007 | 325813-1 | ANILLO 21 HR2300 | | 1 | | | | |
| 008 | 346177-0 | ARANDELA GUIA HR2300 | | 1 | | | | |
| 009 | 233916-6 | MUELLE CONICO 21-29 HR2020 | | 1 | | | | |
| 010 | 216022-2 | BOLA DE ACERO 7.0 | | 2 | | | | |
| 019 | 266745-2 | TORNILLO ASA 8X90 BHR242 | | 1 | | | | |
| 020 | 453129-5 | ABRAZADERA ASA 8X90 BHR242 | | 1 | | | | |
| 021 | 158057-6 | EMPUÑADURA PARA HR2220/HR2460 | | 1 | | | | |
| C10 | 931402-8 | TUERCA M8 * PARA HM1800 | | 1 | | | | |
| 022 | 457709-9 | LOCK BUTTON | | 1 | * | | | |
| 022-1 | 161656-5 | CHANGE LEVER COMPLETE | X | 1 | | | | |
| 023 | 234264-6 | MUELLE 3 BHR242 | | 1 | | | | |
| 024 | 213278-8 | JUNTA 17 HR2020 | | 1 | | | | |
| 025 | 161656-5 | CHANGE LEVER COMPLETE | | 1 | * | | | |
| 025-1 | 457709-9 | LOCK BUTTON | X | 1 | | | | |
| 026 | 144616-2 | GEAR HOUSING COMPLETE | | 1 | * | | | |
| C10 | 213636-8 | RETEN CARCASA HR2610 | | 1 | * | | | |
| 026-1 | 140C99-2 | GEAR HOUSING COMPLETE | S | 1 | | | | |
| C10 | 213636-8 | RETEN CARCASA HR2610 | | 1 | | | | |
| 027 | 331890-3 | CASQUILLO ENGRANAJES HR2300 | | 1 | | | | |
| 028 | 211294-4 | RODAMIENTO 6806LLU HR2300 | | 1 | | | | |
| 029 | 210028-2 | RODAMIENTO BOLAS 606ZZ P/MT603 | | 1 | | | | |
| 030 | 142973-2 | TOOL HOLDER COMPLETE | | 1 | | | | |
| C10 | 213344-1 | JUNTA DE ACEITE HR2800 | | 1 | | | | |
| 031 | 216019-1 | BOLA DE ACERO PARA 6796FD | | 4 | | | | |
| 032 | 332139-4 | DRIVING FLANGE | | 1 | | | | |
| 033 | 227360-7 | SPUR GEAR 51 | | 1 | | | | |
| 034 | 234148-8 | MUELLE 31 HR2300 | | 1 | | | | |
| 035 | 267153-0 | ARANDELA 30 HR2300 | | 1 | | | | |
| 036 | 257932-4 | ARANDELA CIERRE 30 HR2300 | | 1 | | | | |
| 037 | 267153-0 | ARANDELA 30 HR2300 | | 1 | | | | |
| 038 | 325782-6 | CASQUILLO 9A HR2300 | | 1 | | | | |
| 039 | 325789-2 | EJE IMPACTADOR HR2300 | | 1 | | | | |
| 040 | 325794-9 | ANILLO 10A HR2300 | | 1 | | | | |
| 041 | 424267-0 | ANILLO 12 HR2300 | | 1 | | | | |
| 042 | 325798-1 | JUNTA HR2300 | | 1 | | | | |
| 043 | 213073-6 | JUNTA 9 | | 1 | | | | |
| 044 | 233979-2 | ANILLO ELASTICO HR2300 | | 1 | | | | |
| 045 | 325784-2 | IMPACTADOR HR2300 | | 1 | | | | |
| 046 | 213258-4 | JUNTA TORICA 17.5 | | 1 | | | | |
| 047 | 310345-1 | CILINDRO PISTON HR2300 | | 1 | | | | |
| 048 | 346036-8 | PLACA GUIA BHR261T | | 1 | | | | |
| 049 | 324215-8 | ARTICULACION DE PISTON | | 1 | | | | |

| Artículo | Código | Descripción | Interc | Cantida | N/O | Opción 1 | Opción 2 | Notas |
|----------|----------|--------------------------------|--------|---------|-----|----------|----------|-------|
| 050 | 234098-7 | MUELLE COMPRESION 14 BHR261T | | 1 | | | | |
| 051 | 267447-3 | ARANDELA 14 HR2300 | | 1 | | | | |
| 052 | 257336-0 | GRUPILLA BHR242 | | 1 | | | | |
| 053 | 253186-1 | ARANDELA AISLANTE 7* | | 1 | | | | |
| 054 | 227359-2 | SPUR GEAR 10 | | 1 | | | | |
| 055 | 332125-5 | CLUTCH CAM | | 2 | | | | |
| 057 | 326448-1 | CAM SHAFT | | 1 | | | | |
| 058 | 219021-3 | ROTULA 10 MT870 | | 1 | | | | |
| 059 | 257321-3 | JUNTA 8 MT870 | | 1 | | | | |
| 060 | 266437-3 | TORNILLO M4X16 FIJADOR HR4011C | | 2 | | | | |
| 061 | 310344-3 | ALOJAMIENTO RODAMIENTO HR2300 | | 1 | | | | |
| 062 | 211032-4 | RODAMIENTO PARA 608ZZ | | 1 | | | | |
| 063 | 285735-6 | CHAPA RETEN RODAMIENTO HR2300 | | 1 | | | | |
| 064 | 227719-8 | CORONA HELICOIDAL 26 HR2300 | | 1 | | | | |
| 065 | 213728-3 | JUNTA TORICA 68 BHR261T | | 1 | | | | |
| 068 | 141572-7 | CARCASA INTERIOR HR2300 | | 1 | | | | |
| 072 | 213678-2 | RETEN 12 MT870 | | 1 | | | | |
| 073 | 213407-3 | JUNTA TORICA 26 | | 1 | | | | |
| 074 | 262569-4 | CASQUILLO 9 HR2300 | | 1 | | | | |
| 075 | 210042-8 | RODAMIENTO BOLAS 629LLB | | 1 | | | | |
| 076 | 253733-8 | ARANDELA PLANA 9* | | 1 | | | | |
| 077 | 240182-8 | FAN 65 | | 1 | | | | |
| 078 | 457711-2 | BAFFLE PLATE | | 1 | | | | |
| 079 | 457710-4 | FAN HOUSING | | 1 | | | | |
| 080 | 457713-8 | FILTER PLATE | | 1 | | | | |
| 081 | 262184-4 | SLEEVE 10 | | 1 | | | | |
| 082 | 240121-8 | VENTILADOR 65 HR2300 | | 1 | | | | |
| 083 | 681652-2 | ARANDELA AISLANTE JR180D | | 1 | | | | |
| 084 | 210023-2 | RODAMIENTO DE BOLAS 627DDW | | 1 | | | | |
| 085 | 515424-2 | ARMATURE ASSY 240V | | 1 | | | | |
| D10 | | INC. 82-84 | | | | | | |
| 086 | 267804-5 | ARANDELA ONDULADA HR2230 | | 1 | | | | |
| 087 | 347230-5 | CHANGE PLATE B | | 1 | | | | |
| 088 | 233360-7 | MUELLE 4 MT952 | | 1 | | | | |
| 089 | 234343-0 | COMPRESSION SPRING 5 | | 1 | | | | |
| 090 | 347229-0 | CHANGE PLATE A | | 1 | | | | |
| 091 | 347228-2 | LOCK PLATE | | 1 | | | | |
| 092 | 266361-0 | TORNILLO M4X30 PARA 9554NB | | 2 | | | | |
| 093 | 451527-7 | DEFECTOR HR2300 | | 1 | | | | |
| 094 | 621874-2 | FIELD | | 1 | | | | |
| 095 | 819390-8 | CLEAR LABEL | | 1 | * | | | |
| 095-1 | 816R90-9 | CLEAR LABEL | O | 1 | | | | |
| 096 | 853M36-4 | HR2650 NAME PLATE | | 1 | | | | |
| 097 | 194074-2 | ESCOBILLAS CB-325 9557NB | | 1 | | | | |
| 098 | 266334-3 | TORNILLO CARCASA 4X60 HR2460 | | 4 | | | | |
| 099 | 451536-6 | CARCASA MOTOR HR2600 | | 1 | | | | |
| 100 | 266556-5 | TORNILLO TAPA 3X12 HR2300 | | 2 | | | | |
| 101 | 632K38-9 | BRUSH HOLDER UNIT | | 1 | | | | |

| Artículo | Código | Descripción | Interc | Cantida | N/O | Opción 1 | Opción 2 | Notas |
|----------|----------|------------------------------|--------|---------|-----|----------|----------|-------|
| 102 | 853M40-3 | HR2650 SERIAL NO. LABEL | | 1 | | | | |
| 103 | 819389-3 | CLEAR LABEL | | 1 | * | | | |
| 103-1 | 816R89-4 | CLEAR LABEL | O | 1 | | | | |
| 104 | 266326-2 | TORNILLO M4X18 | | 3 | | | | |
| 105 | 651090-2 | SWITCH TG853TB-3 | | 1 | | | | |
| 106 | 682566-8 | SALIDA DE CABLE 10 | | 1 | | | | |
| 107 | 266385-6 | TORNILLO M4X14 PARA GA9020S | | 1 | | | | |
| 108 | 451528-5 | TAPA MANGO HR2300 | | 1 | | | | |
| 109 | 687682-1 | STRAIN RELIEF | | 1 | | | | |
| 110 | 665890-4 | CABLE DE ALIMENTACION KP0810 | | 1 | | | | |
| 112 | 135905-6 | DUST EXTRACTION SYSTEM SET | | 1 | * | | | |
| D10 | | INC. 113-118,120-142 | | | * | | | |
| 112-1 | 135994-1 | DUST CASE ASSY | < | 1 | * | | | |
| D10 | | INC. 113-118,120-142 | | | * | | | |
| 112-2 | 136006-3 | DUST CASE ASSY | < | 1 | * | | | |
| D10 | | INC. 113-118,120-142 | | | * | | | |
| 112-3 | 136018-6 | DUST CASE ASSEMBLY | S | 1 | | | | |
| D10 | | INC. 113-118,120-142 | | | | | | |
| 113 | 424722-2 | FITTING RUBBER | | 1 | | | | |
| 114 | 455736-0 | COLLECTOR | | 1 | | | | |
| 115 | 424474-5 | TAPA COLECTOR DX01 | | 1 | | | | |
| 116 | 251568-1 | H.S.H.BOLT M3X12 WITH WR | | 2 | | | | |
| 117 | 457730-8 | COLLECTOR BASE A | | 1 | | | | |
| 118 | 457723-5 | PIPE COVER | | 1 | | | | |
| 120 | 457718-8 | PUSH BUTTON B | | 1 | | | | |
| 121 | 326988-9 | SLIDE PIPE | | 1 | | | | |
| 122 | 457728-5 | STOPPER BASE B | | 1 | | | | |
| 123 | 457722-7 | RACK GUIDE | | 1 | | | | |
| 124 | 232386-6 | COMPRESSION SPRING 4 | | 2 | | | | |
| 125 | 457721-9 | SPRING PLATE | | 2 | | | | |
| 126 | 457717-0 | PUSH BUTTON A | | 1 | | | | |
| 127 | 931102-0 | TUERCA HEXAGONAL M4* | | 1 | | | | |
| 128 | 457719-6 | STOPPER BASE A | | 1 | | | | |
| 129 | 251314-2 | TORNILLO M4X12* | | 1 | | | | |
| 130 | 245043-7 | HOSE 30 D | | 1 | * | | | |
| 130-1 | 245045-3 | HOSE 30 | S | 1 | | | | |
| 131 | 457716-2 | LOCK LEVER | | 1 | * | | | |
| 131-1 | 458668-0 | LOCK LEVER | < | 1 | | | | |
| 132 | 231316-4 | MUELLE-EXPANSION 7 | | 1 | | | | |
| 133 | 266130-9 | TORNILLO PT3X16 | | 8 | | | | |
| 134 | 183G77-3 | HOUSING SET | | 1 | * | | | |
| D10 | | INC. 139 | | | * | | | |
| 134-1 | 183K50-7 | HOUSING SET | S | 1 | | | | |
| D10 | | INC. 139 | | | | | | |
| 135 | 457712-0 | JOINT SLEEVE | | 2 | | | | |
| 136 | 245042-9 | HOSE 30 C | | 1 | * | | | |
| 136-1 | 245047-9 | HOSE 30 | < | 1 | | | | |
| 137 | 256158-5 | BULON 3 PARA T220DW | | 1 | | | | |

