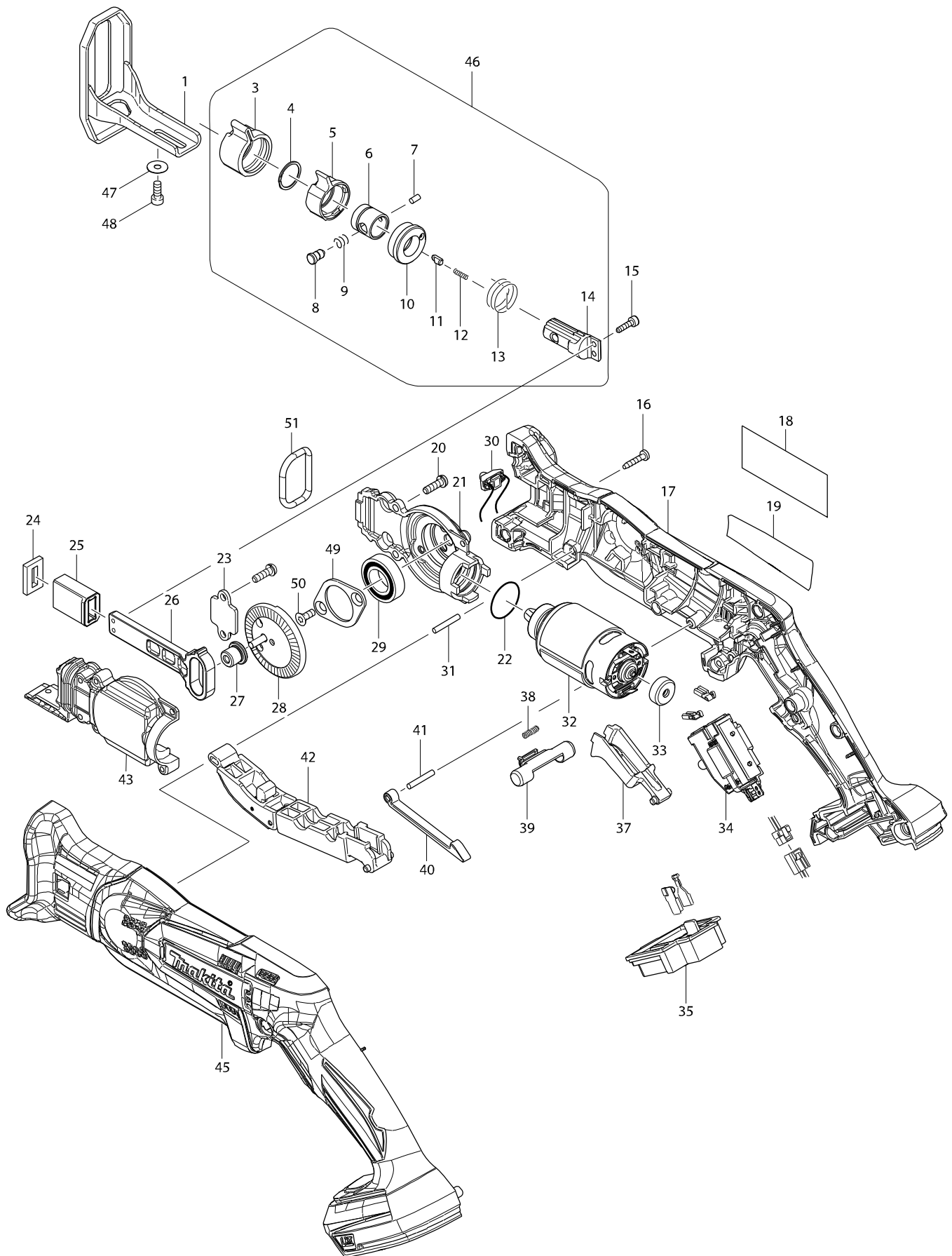


Modelo DJR183 CORDLESS RECIPRO SAW



Artículo	Código	Descripción	Interc	Cantidad	N/O	Ventas	Compra	Notas
001	165740-8	SHOE		1		3,50		
003	424466-4	PROTECTOR		1		0,75		
004	257981-1	RETAINING RING (EXT)16		1		0,10		
005	310496-0	DRIVING SLEEVE		1		7,75		
006	331963-2	GUIDE SLEEVE		1		2,00		
007	268094-3	BULON 3.JR3000VT		1		1,90		
008	256492-3	BULON DE ANCLAJE JR3070CT		1		0,60		
009	233345-3	MUELLE 6 PARA JR3030T		1		0,60		
010	453071-0	CONNECTING SLEEVE		1		0,50		
011	310495-2	PUSH PIN		1	*	1,50		
011-1	310859-0	PUSH PIN	O	1				
012	233025-1	MUELLE 2		1		0,30		
013	233594-2	TORSION SPRING 17		1		0,10		
014	326113-2	BLADE GUIDE		1		6,50		
015	265910-0	TORNILLO M3X12*		2		0,60		
016	266429-2	TORNILLO M3X16 TD0101F		10		0,10		
017	187760-2	HOUSING SET		1				
C10	263005-3	FIJADOR 6*		2		0,30		
C20	423475-0	SPONGE SHEET		1				
D10		INC. 45						
019	814V98-1	DJR183 NAME PLATE		1				
020	266747-8	PAN HEAD SCREW M4X14 WITH WM		5				
021	319060-4	GEAR HOUSING		1				
022	213961-7	JUNTA TORICA 22 BBC231U		1		0,10		
023	346525-3	PLATE		1				
024	443185-3	FELT SEAL		1				
025	313220-0	SLIDER GUIDE		1		1,50		
026	313271-3	SLIDER		1		3,50		
027	313270-5	COLLARED SLEEVE 4		1				
028	142284-5	GEAR COMPLETE		1				
029	211242-3	RODAMIENTO 6902ZZ P/MT603		1		1,40		
030	620237-9	LED CIRCUIT		1				
031	256158-5	BULON 3 PARA T220DW		1		0,30		
032	629109-5	DC MOTOR		1				
033	424467-2	CAP		1				
034	650712-1	SWITCH C3HY-1A-PRLMS		1				
035	643852-2	TERMINAL BHP456RFE		1		3,00		
037	453072-8	SWITCH LEVER R		1				
038	233438-6	MUELLE COMPRESION 4 BDF442		1		0,10		
039	454661-2	LOCK OFF LEVER R		1				
040	313219-5	LINK		1				
041	256158-5	BULON 3 PARA T220DW		1		0,30		
042	141128-6	SWITCH LEVER F COMPLETE		1				
043	319061-2	GEAR HOUSING COVER		1				
045	187760-2	HOUSING SET		1				
C10	263005-3	FIJADOR 6*		2		0,30		
C20	423475-0	SPONGE SHEET		1				
D10		INC. 17						

Artículo	Código	Descripción	Interc	Cantidad	N/O	Ventas	Compra	Notas
046	126201-3	BLADE CLAMP ASSEMBLY		1				
D10		INC. 3-14						
047	253874-0	ARANDELA PLANA 4*		1		0,30		
048	922112-8	TORNILLO HEXAGONAL M4X10*		1		0,30		
049	285738-0	BEARING RETAINER 36		1				
050	265035-0	TORNILLO ALLEN CP M4X10/4304*		2		0,30		
051	424597-9	RUBBER RING 23		1				
A01	B-20432	HOJA SABLE 100MM MADERA/CLAVO		1				
A02	B-20404	HOJA SABLE 100MM METAL 18TPI		1				
A03	783201-2	LLAVE HEXAGONAL 3		1				
A04B	***DC18RC	DC18RC FAST CHARGER		1				
A04C	821550-0	MALETIN MAKPAC TIPO 2		1				
C10	453974-8	LATCH		4				
A04D	821550-0	MALETIN MAKPAC TIPO 2		1				
C10	453974-8	LATCH		4				
A04E	821550-0	MALETIN MAKPAC TIPO 2		1				
C10	453974-8	LATCH		4				
A04F	821550-0	MALETIN MAKPAC TIPO 2		1				
C10	453974-8	LATCH		4				
A04G	821550-0	MALETIN MAKPAC TIPO 2		1				
C10	453974-8	LATCH		4				
A05B	196399-0	BATERIA BL1840 18V		2	*			
A05C	837897-2	INNER TRAY		1				
A05D	837897-2	INNER TRAY		1				
A05E	837897-2	INNER TRAY		1				
A05F	837897-2	INNER TRAY		1				
A05G	837897-2	INNER TRAY		1				
A05-1B	196399-0	BATERIA BL1840 18V	O	2	*			
A05-2B	197265-4	BATTERY BL1840B SET	<	2				
A06B	450128-8	BATTERY COVER		1				
A06C	802F34-3	DJR183RMJ PLASTIC CASE LABEL		2				
A06D	804S00-4	DJR183ZJ PLASTIC CASE LABEL		2				
A06E	807F08-9	DJR183RYJ PLASTIC CASE LABEL		2				
A06F	808W20-4	DJR183RTJ PLASTIC CASE LABEL		2				
A06G	809J04-7	DJR183RT1J PLASTIC CASE LABEL		2				
A07B	821586-9	PLASTIC CARRYING CASE		1				
C10	162315-4	CIERRE MALETA DF347D		2				
C20	452137-3	HANDLE		1				
A07C	802F33-5	DJR183RMJ INDICATION LABEL		1				
A07D	804R99-3	DJR183ZJ INDICATION LABEL		1				
A07E	807F07-1	DJR183RYJ INDICATION LABEL		1				
A07F	808W19-9	DJR183RTJ INDICATION LABEL		1				
A07G	809J03-9	DJR183RT1J INDICATION LABEL		1				
A08C	***DC18RC	DC18RC FAST CHARGER		1				
A08E	***DC18RC	DC18RC FAST CHARGER		1				
A08F	***DC18RC	DC18RC FAST CHARGER		1				
A08G	***DC18RC	DC18RC FAST CHARGER		1				
A09C	196399-0	BATERIA BL1840 18V		2	*			

