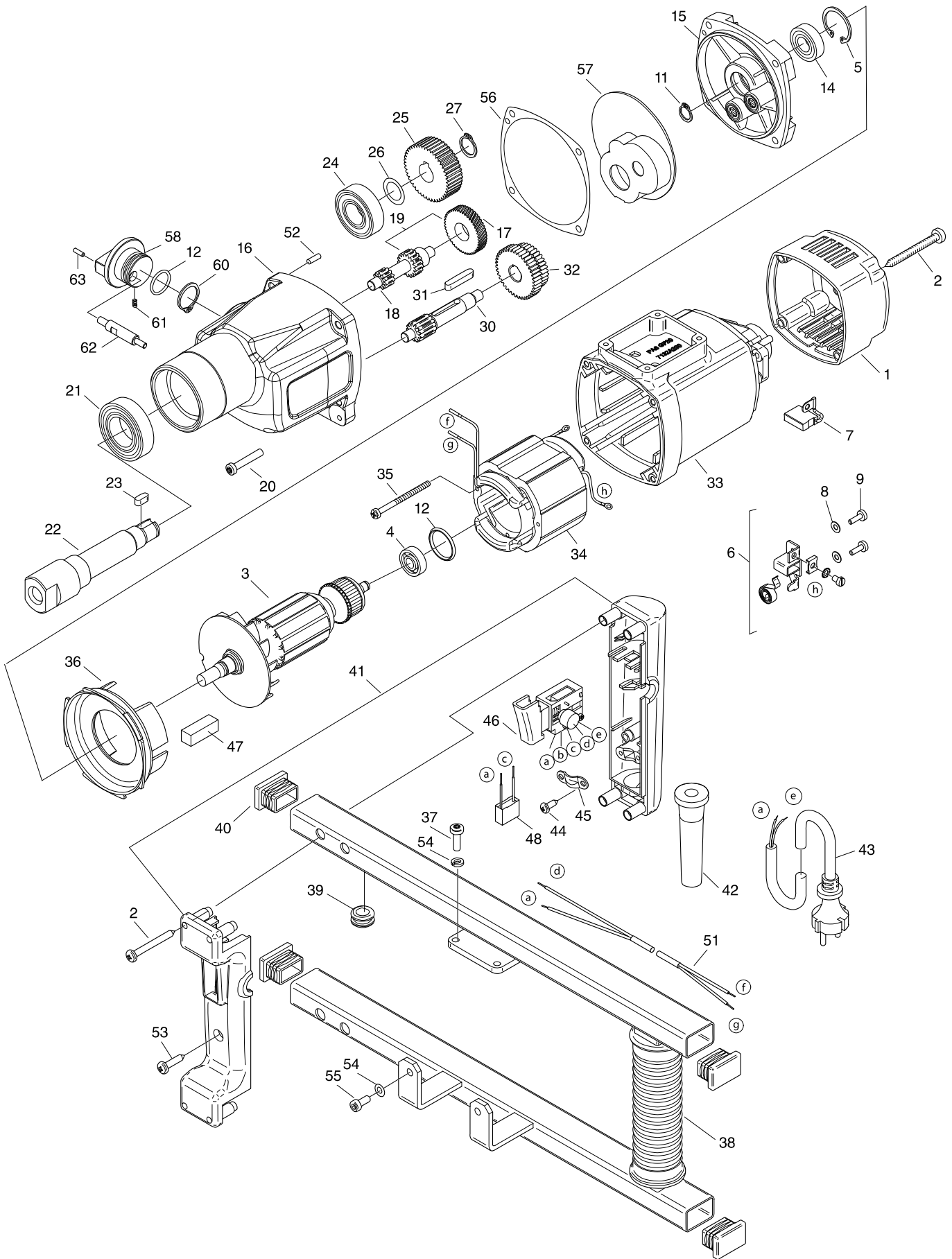


Modelo UT1401 BATIDOR



Artículo	Código	Descripción	Interc	Cantida	N/O	Opción 1	Opción 2	Notas
001	EE80900093	CAP		1				
002	EE80201267	TORNILLO HEX. 4.8X45		8				
003	EE7132A100	ROTOR COMPLETE		1				
004	EE80410011	GROOVED BALL BEARING		1				
005	EE80201333	GROVER 28 UT120		1				
006	EE80201196	PORTA ESCOBILLAS CPL. UT120		2				
007	EE80700013	ESCOBILLAS UT120		2	*			
007-1	EE7132A22S	PAIR OF BRUSHES	<	1				
008	EE80201385	PLANA UT120		4				
009	EE80201180	TORNILLO M4X12		4				
011	EE80201320	LOCKING RING		1				
012	EE83000036	SEGMENTO 22X2.5 UT120		2				
014	EE80410031	RODAMIENTO DE BOLAS DBM230		1				
015	EE77M3161U	END SHIELD OF GEARING		1				
016	EE77M3140U	GEARBOX HOUSING / CASING		1				
017	EE7132A470	INTERMEDIATE WHEEL		1				
018	EE7132H500	SHAFT		1				
019	EE7731C49U	PINION SHAFT COMPLETE0		1				
020	EE80201442	PT-SCREW		4				
021	EE80410061	GROOVED BALL BEARING		1				
022	EE77M31420	WORK SPINDLE		1				
023	EE80200601	FITTING KEY		1				
024	EE80410130	GROOVED BALL BEARING		1				
025	EE71323430	SPINDLE WHEEL		1				
026	EE80200504	ARANDELA 15 DBM080		1				
027	EE80201322	LOCKING RING		1				
030	EE71223460	SHAFT		1				
031	EE80200602	FITTING KEY		1				
032	EE7132H440	GEAR BLOCK/ CLUSTER GEAR		1				
033	EE80900403	MOTOR HOUSING		1				
034	EE7132A150	STATOR COMPLETE		1				
035	EE80201266	TORNILLO HEX. 3.9X60		2				
036	EE80900286	AIR GUIDING RING		1				
037	EE80201277	PLASTIC SCREW		4				
038	EE77M31590	BOW HANDLE		1				
039	EE83000051	CABLE GROMMET		2				
040	EE80900000	COVER CAP		4				
041	EE80900098	PAIR OF HANDLE HALVES		1				
042	EE83000004	SALIDA DE CABLE UT120		1				
043	EE80600060	CONNECTING CABLE		1				
044	EE80201270	TORNILLO HEX. 4.2X13		2				
045	EE85000020	WIRE LOCKING FLANGE		1				
046	EE80600510	SWITCH		1				
047	EE80600306	CONTACT WASHER / SPACER		1				
048	EE80500010	CONDENSADOR UT120		1				
051	EE80600072	INTERCONNECTING WIRE		1				
052	EE80200582	BULON 4 UT120		1				
053	EE80201280	TORNILLO HEX. 4.8X22		1				

Artículo	Código	Descripción	Interc	Cantida	N/O	Opción 1	Opción 2	Notas
054	EE80201302	MUELLE DE CIERRE 5 DBM130		6				
055	EE80201103	SCREW		2				
056	EE82000507	GEARBOX SEAL		1				
057	EE80900119	GREASE COMPARTMENT BARRIER		1				
058	EE7132H540	SWITCH BUTTON		1				
060	EE80201340	LOCKING RING		1				
061	EE80430029	PIN		1				
062	EE7132H545	SHIFT PIN		1				
063	EE80200577	CYLINDER PIN		1				