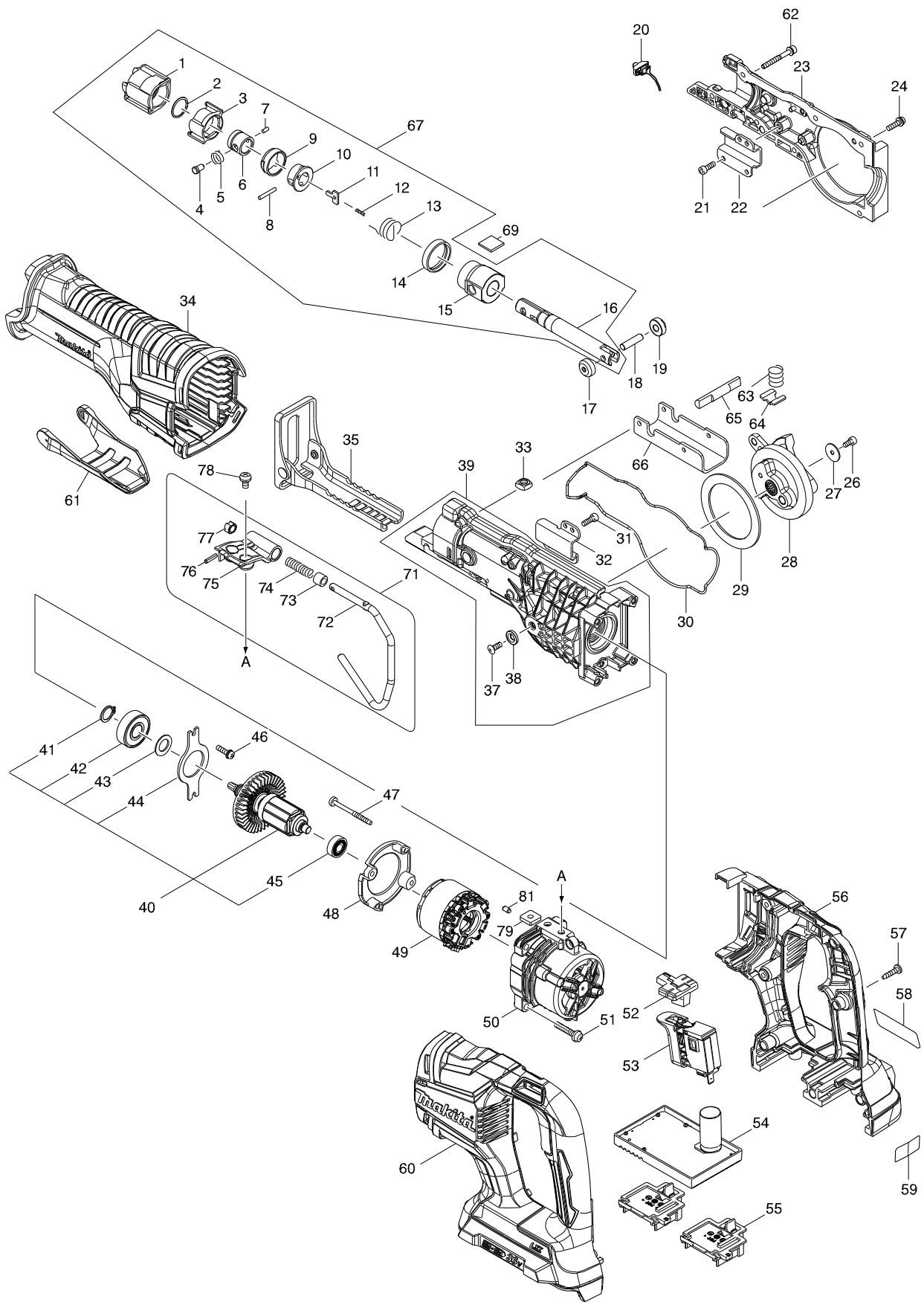


# Modelo DJR360 CORDLESS RECIPRO SAW



# Modelo DJR360 CORDLESS RECIPRO SAW

Artículo	Código	Descripción	Interc	Cantida	N/O	Opción 1	Opción 2	Notas
001	424763-8	PROTECTOR		1				
002	257952-8	RETAINING RING (EXT) 18		1				
003	310662-9	DRIVING SLEEVE		1				
004	256569-4	SHOULDER PIN 5		1				
005	234381-2	COMPRESSION SPRING 6		1				
006	331720-8	GUIDE SLEEVE		1				
007	268094-3	PIN 3		1				
008	256158-5	PIN 3		1				
009	417791-0	DRIVING SLEEVE GUIDE		1				
010	418311-3	SLEEVE		1				
011	345214-7	PUSH PLATE		1				
012	233025-1	COMPRESSION SPRING 2		1				
013	231687-9	TORSION SPRING 17		1				
014	424762-0	RUBBER RING		1				
015	144012-4	SLIDER GUIDE COMPLETE		1				
C10	213151-2	OIL SEAL 14		1				
C20	213174-0	X RING 14		1				
016	161376-1	SLIDER		1				
017	310663-7	ROLLER		1				
018	268341-2	PIN 6		1				
019	310663-7	ROLLER		1				
020	620434-7	LED CIRCUIT		1				
021	922117-8	HEX. SOCKET HEAD BOLT M4X12		2				
022	346936-2	ROD GUIDE R		1				
023	143362-4	GEAR HOUSING R COMPLETE		1				
024	911128-8	P.H.SCREW M4X16 WITH WR		5				
026	922107-1	HEX. SOCKET HEAD BOLT M4X8		1				
027	267491-0	FLAT WASHER 4		1				
028	143359-3	GEAR COMPLETE		1				
029	267490-2	FLAT WASHER 54		1				
030	424764-6	SEAL RING		1				
031	922117-8	HEX. SOCKET HEAD BOLT M4X12		2				
032	346935-4	ROD GUIDE L		1				
034	424767-0	INSULATION COVER B		1				
035	161374-5	SHOE		1				
037	912112-6	COUNTERSUNK HEAD SCREW M4X10		1				
038	253825-3	FLAT WASHER 6		1				
039	123509-6	GEAR HOUSING L ASSEMBLY		1				
D10		INC. 37,38						
040	519391-3	ROTOR ASS'Y		1				
D10		INC. 41-45						
041	961052-5	RETAINING RING S-12		1				
042	210118-1	BALL BEARING 6201DDW		1				
043	253744-3	FLAT WASHER 12		1				
044	285740-3	BEARING RETAINER 66		1				
045	210062-2	BALL BEARING 607ZZ		1				
046	911128-8	P.H.SCREW M4X16 WITH WR		2				
047	266069-6	TAPPING SCREW 4X45		2				

