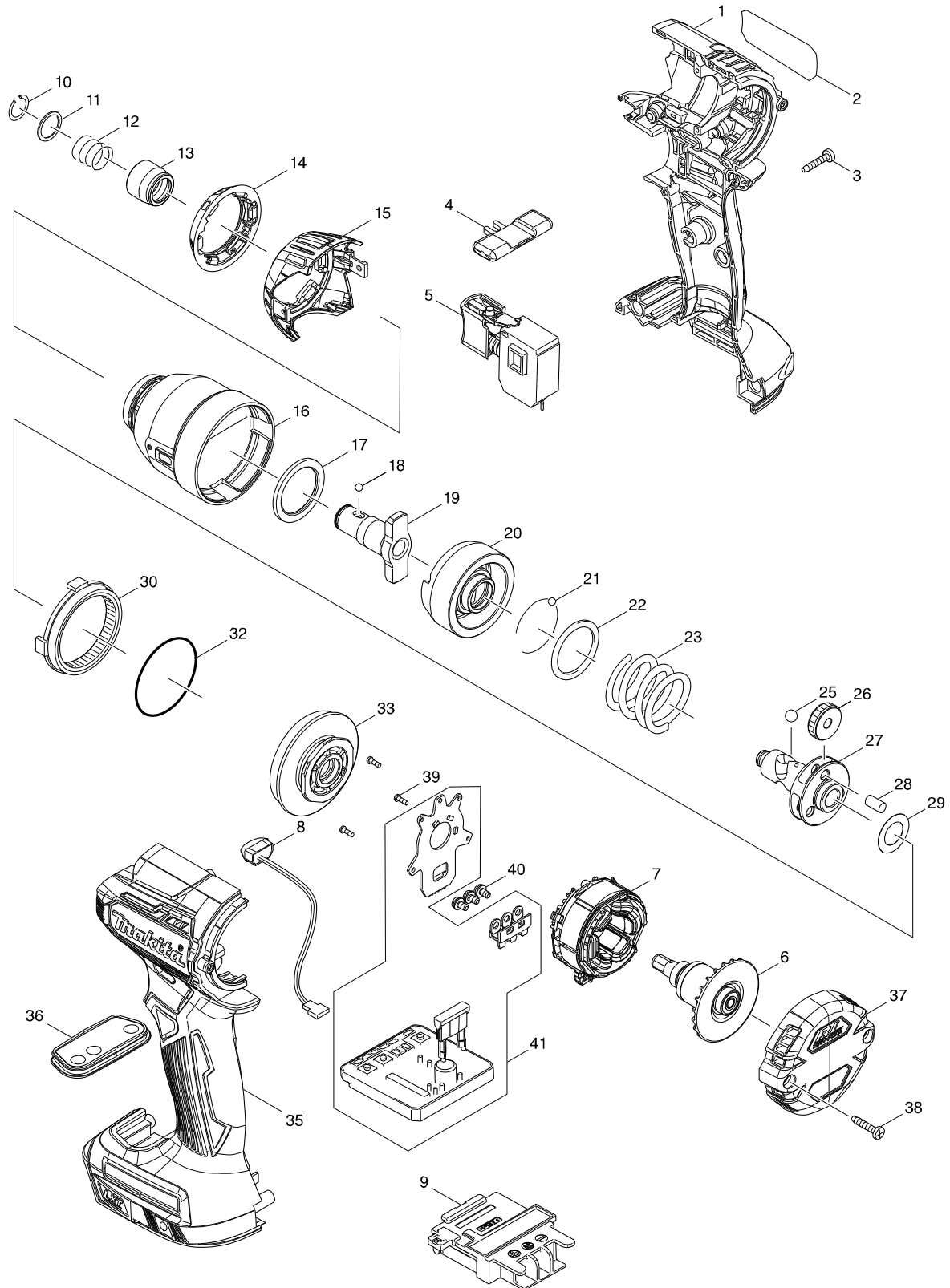


Modelo DTD170 CORDLESS IMPACT DRIVER



Modelo DTD170 CORDLESS IMPACT DRIVER

Artículo	Código	Descripción	Interc	Cantida	N/O	Opción 1	Opción 2	Notas
001	183E39-9	HOUSING SET		1				
C10	263005-3	RUBBER PIN 6		2				
D10		INC. 35						
002	852N52-9	DTD170 NAME PLATE		1				
003	266130-9	TAPPING SCREW BIND PT 3X16		8				
004	455053-8	F/R CHANGE LEVER		1				
005	650772-3	SWITCH		1				
006	619419-8	ROTOR		1				
007	629217-2	STATOR		1				
008	620521-2	LED CIRCUIT		1				
009	643860-3	TERMINAL		1				
010	231951-8	RING SPRING 11		1				
011	267085-1	FLAT WASHER 12		1				
012	233005-7	COMPRESSION SPRING 13		1				
013	326072-0	BIT SLEEVE		1				
014	424828-6	BUMPER		1				
015	456710-1	HAMMER CASE COVER		1				
016	143718-1	HAMMER CASE COMPLETE		1				
017	261155-8	NYLON WASHER 24		1				
018	216001-0	STEEL BALL 3.5		2				
019	326508-9	ANVIL M		1				
020	326711-2	HAMMER		1				
021	216001-0	STEEL BALL 3.5		24				
022	267175-0	FLAT WASHER 24		1				
023	234331-7	COMPRESSION SPRING 24		1				
025	216011-7	STEEL BALL 5.6		2				
026	227338-0	SPUR GEAR 22		3				
027	326710-4	SPINDLE		1				
028	268311-1	PIN 5		3				
029	253314-8	THIN WASHER 15		1				
030	227351-8	INTERNAL GEAR 51		1				
032	213507-9	O RING 40		1				
033	143719-9	BEARING BOX COMPLETE		1				
035	183E39-9	HOUSING SET		1				
C10	263005-3	RUBBER PIN 6		2				
D10		INC. 1						
036	143721-2	SWITCH PLATE COMPLETE		1				
037	456711-9	REAR COVER		1				
038	266130-9	TAPPING SCREW BIND PT 3X16		2				
039	266490-9	TAPPING SCREW PT 2X6		3				
040	652069-6	FLAT HEAD SCREW M3X6		3				
041	620520-4	CONTROLLER		1				
A01	266622-8	+ TRUSS HEAD SCREW M4X12		1				
A02	346317-0	HOOK		1				
A03B	450128-8	BATTERY COVER		1				
A03C	450128-8	BATTERY COVER		1				
A03D	450128-8	BATTERY COVER		1				
A04B	***DC18RC	DC18RC FAST CHARGER		1				

