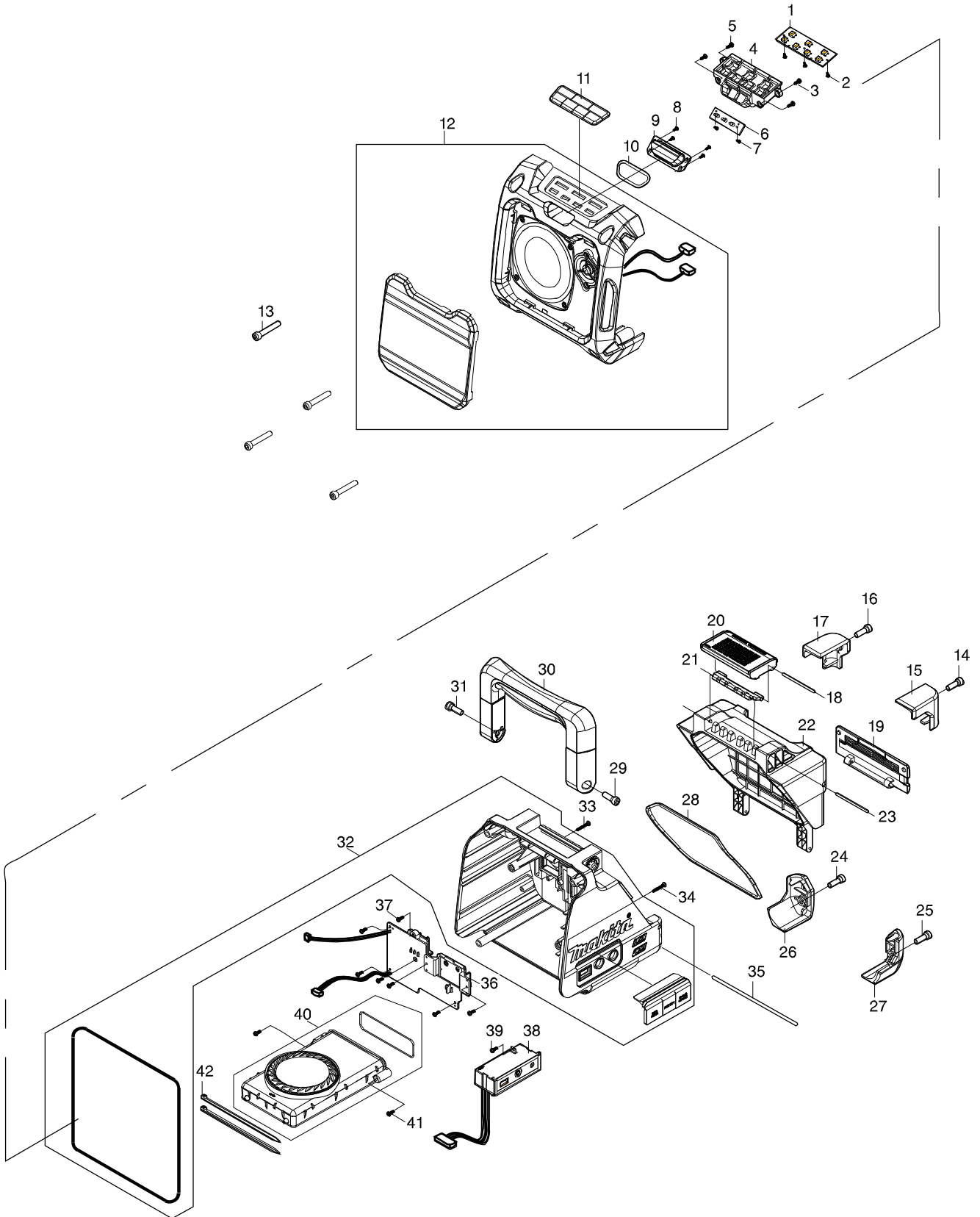


# Modelo DMR200 CORDLESS JOB SITE SPEAKER



Artículo	Código	Descripción	Interc	Cantida	N/O	Opción 1	Opción 2	Notas
001	SE00000519	PCB B ASS'Y(KEY BOARD) 07BB3A1		1				
002	SE00000520	SCREW PTPW 2X6(NI) 29S15106002		3				
003	SE00000521	SCREW PTB 3X8(ZK) 29S16308001		2				
004	SE00000522	RUBBER KEY HOLDER 2000B300100		1				
005	SE00000521	SCREW PTB 3X8(ZK) 29S16308001		2				
006	SE00000523	PCB A LED ASS'Y 09DB3A1		1				
007	SE00000520	SCREW PTPW 2X6(NI) 29S15106002		2				
008	SE00000520	SCREW PTPW 2X6(NI) 29S15106002		4				
009	SE00000524	LED LENS 3290B30000010		1				
010	SE00000525	LED LENS PACKING 2400B300500		1				
011	SE00000526	RUBBERE KEY 3100B30000010		1				
012	SE00000527	FRONT CABINET ASS'Y-BLUE 01FB3		1				
C10	SE00000529	SPEAKER GRILL 3230B30000010		1				
013	SE00000530	SCREW PTHE 6X37(CR) 29S1793701		4				
014	SE09176166	HEX SCREW M6X16		1				
015	SE00000531	BATTERY BUMPER R 3163B30000010		1				
016	SE09176166	HEX SCREW M6X16		1				
017	SE00000532	BATTERY BUMPER L 3162B30000010		1				
018	SE00000533	PIN D2X88 2100B300100		1				
019	SE00000534	PHONE COVER ASS'Y 011B3A5		1				
020	SE00000535	LOCKER COVER 3121B30000010		1				
021	SE00000536	LOCKER HINGE 3300B30000010		1				
022	SE00000537	BATTERY COVER (BLUE) 3120B3000		1				
023	SE00000539	PIN D2X77 2100B300200		1				
024	SE09176166	HEX SCREW M6X16		1				
025	SE09176166	HEX SCREW M6X16		1				
026	SE00000540	REAR BUMPER L 3160B30000010		1				
027	SE00000541	REAR BUMPER R 3161B30000010		1				
028	SE00000542	BATTERY PACKING 2400B300200		1				
029	SE09176166	HEX SCREW M6X16		1				
030	SE00000543	HANDLE ASS'Y-BLUE 01HB3A1		1				
031	SE09176166	HEX SCREW M6X16		1				
032	SE00000545	REAR ASS'Y BLUE 01RB3A1		1				
C10	SE00000547	JACK RUBBER COVER 3126B3000001		1				
C20	SE024PC040	PACKING		1				
033	SE00000548	SCREW PTB 3X20(ZK) 29S09990047		1				
034	SE00000548	SCREW PTB 3X20(ZK) 29S09990047		1				
035	SE00000549	BATTERY COVER FIXER PIN 2100b3		1				
036	SE00000552	PCB A ASS'Y OTHERS 07AB3A3		1				
037	SE00000521	SCREW PTB 3X8(ZK) 29S16308001		7				
038	SE00000553	JACK HOLDER ASS'Y-BLUE 011B3A1		1				
039	SE00000521	SCREW PTB 3X8(ZK) 29S16308001		1				
040	SE00000555	MOBILE-PHONE-CASE ASS'Y 011B3A		1				
C10	SE00000556	PHONE CASE PACKING 2400B300400		1				
041	SE00000557	SCREW PTPW 3X10(ZK) 29S1531000		2				
042	SE00000195	W/TIES 100MM		2				
A01	SE00000501	AC ADAPTER (CE) 3A8A12C133B11		1				